

# WPC-1201

12.1" Rugged Vehicle Terminal



## Features

- 12.1" high-brightness LCD screen, with resolution up to 800 x 600, touch screen optional
- Excellent heat dispersion performance and advanced architecture design
- Supports Intel® ULV Celeron® M/Pentium® M Processor
- 512MB, (optional up to 1GB)
- 2 x USB2.0, 1 x VGA, 3 x COM, 1 x PS/2
- 80GB industrial wide-temperature hard disk, SSD optional

## Specifications

### Display Features

Brightness	800cd/m <sup>2</sup>
Contrast Ratio	350:1
Resolution	800 x 600
Touch Screen	4-wire resistive touch screen

### System

Processor	Intel® ULV Celeron® M 1.0G/Pentium® M 1.4G Processor
Chipset	Intel® 82915GM + ICH6M
Memory	512MB, (optional up to 2GB)
Watchdog Timer	Software programmable supports 1~255 sec./min. timer system reset or interrupt
Expansion Interface	1 x PC/104
Storage	1 x 80GB industrial wide-temperature hard disk, SSD optional, 1 x CompactFlash Socket Type I/II, 1 x DOC(optional)

### Ethernet

Ethernet Controller	Intel®82562ET
Speed	1 x 10/100Mbps
Connector	1 x RJ45

### Operating System

Windows OS	Windows 98SE/ Windows 2000/ Windows XP
Embedded OS	Linux/XP Embedded/WinCE

### I/O Interface

USB	2 x USB2.0 port
Serial Port	3 x RS-232(1 x RS-422/485)
Parallel Port	N/A
Audio	AC'97, available interfaces of Speaker-out, Line-in and Mic-in

### Mechanical and Environmental

Dimensions	342.64mm x 254.88mm x 77.50mm
Protection Grade	IP66
(front panel)	
Reliability	MTBF ≥ 50000h; MTTR ≤ 0.5h
Safety Standard	GB4943
Operating Temperature	0°C~50°C
Storage Temperature	-35°C~70°C
Operating Humidity	5%~90%, 40°C non-condensing

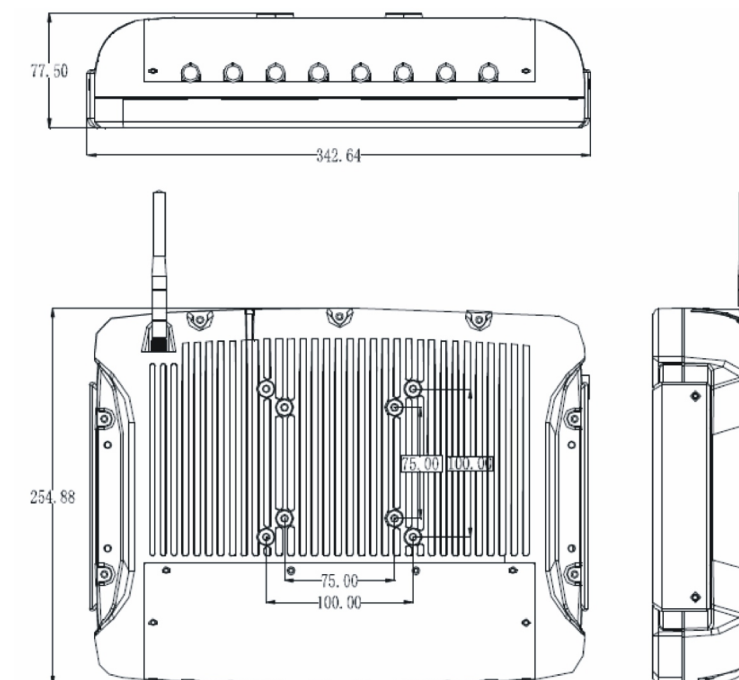
### Power

Power Supply	9~36V DC power supply
Power Consumption	N/A

### Test

Vibration	1G rms, 5-500Hz
Shock	10G peak acceleration (11 ms duration)
EMC/EMI	GB9254-1998 class B
Certification	CE, RoHS

## Dimensions



## Available Accessories

Part Number	Name	Description	Qty.
—	Setup Guide	AMI BIOS Setup Guide (for CORE 8)	1
—	User's Manual	WPC-1201	1
—	Driver CD (protective film)	WPC-1201	1
2360-005031	Converter cable (RoHS)	Mini-DIN PS/2 Y-cable for keyboard and mouse, length: 250mm	1
2100-023691	Outsourced power supply	FSP090-1 ADC21 RoHS with cable	1
2391-001151	Screw	Countersunk head M3x4/thickness 1.0mm/GB-T819-1985/black	10
2391-008501	(YF)Screw/RoHS	M5x12/hex Philips slot bolt/black galvanized	4
1488-009981	Cross line waterproof gum stator/WPC-1201/RoHS	Blank/245x19x0.4	1

## Ordering Information

Part Number	Model Number	Description
0010-001390	WPC-1201	Complete PC: Celeron® M 1G 512K/512M DDR2 667/80G/EC4-1713CLDNA/90W/wireless network card/touch screen/WPC-1201
0010-001391	WPC-1201	Complete PC/RoHS: Celeron® M 1G 512K/512M DDR2 667/80G/EC4-1713CLDNA/90W/wireless network card/touch screen/WPC-1201
0020-000800	WPC-1201/no power supply/no backplane	Empty chassis: WPC-1201/no power supply/no backplane
0020-000801	WPC-1201/no power supply/no backplane	Empty chassis/RoHS: WPC-1201/no power supply/no backplane