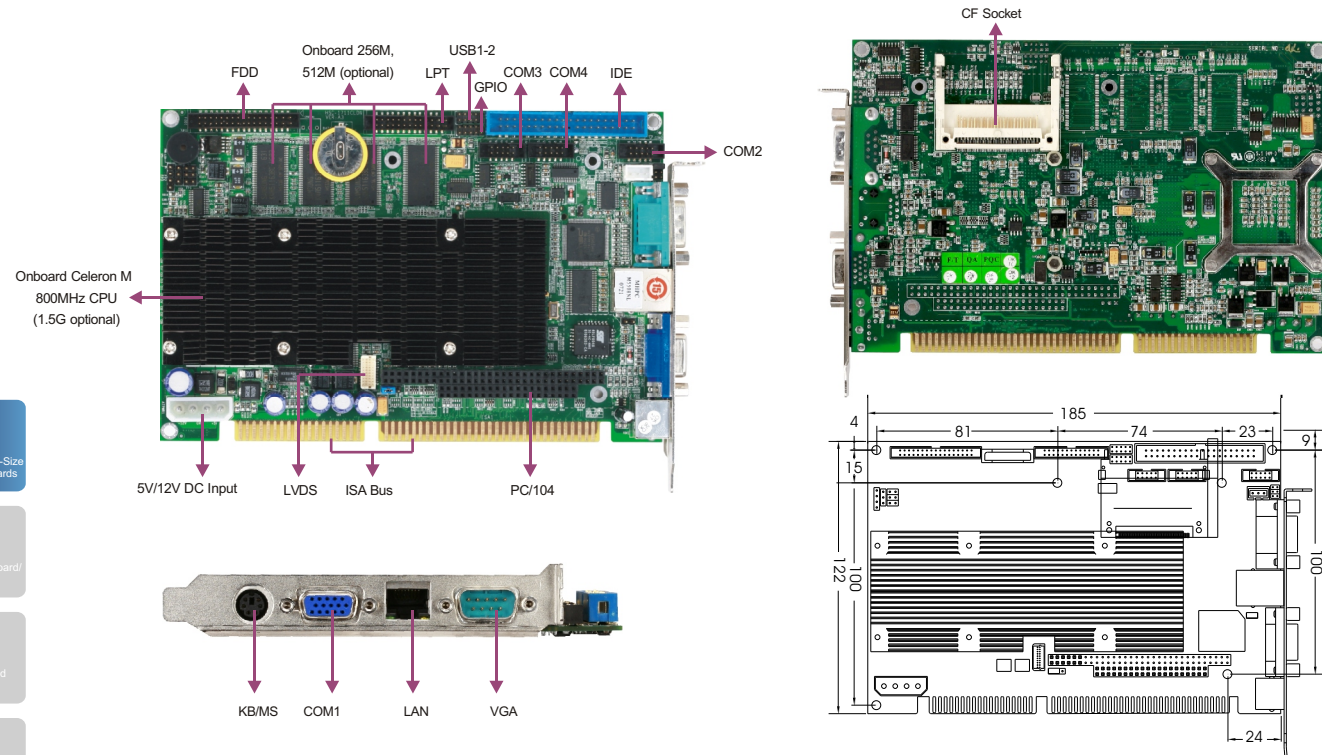
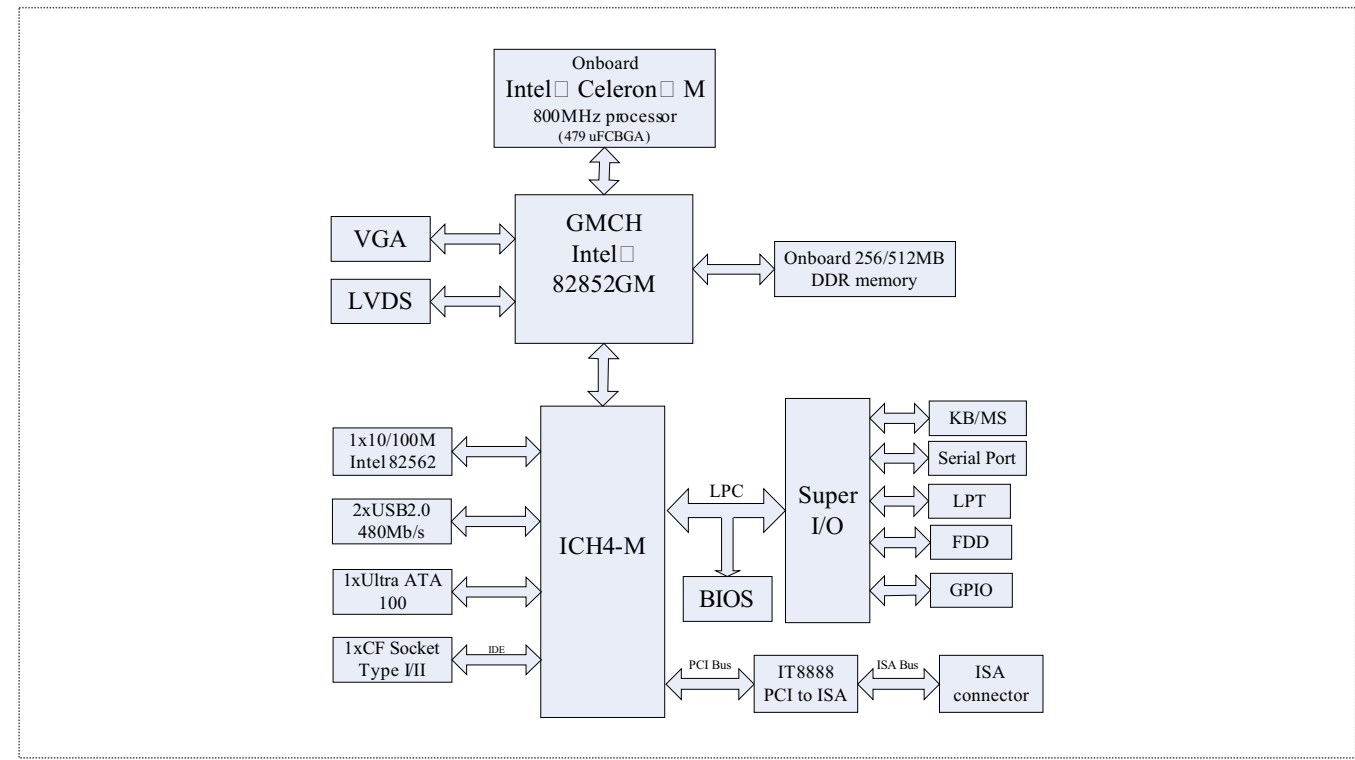


HSC-1711CLDN

Half-Size ISA-Bus CPU Card with Celeron® M Processor/Memory/LVDS/VGA/CF/LAN



Board Diagram



1

Full-Size/Half-Size Slot CPU Cards

2

SBC/Motherboard Modules

3

Embedded Box PC

4

Network Application Computers

5

Industrial PC

6

HMI

7

EVOC Rugged Series

8

MCC Series

9

Chassis

10

Data Acquisition Boards & Modules

11

Accessories

1

Full-Size/Half-Size Slot CPU Cards

2

SBC/Motherboard Modules

3

Embedded Box PC

4

Network Application Computers

5

Industrial PC

6

HMI

7

EVOC Rugged Series

8

MCC Series

9

Chassis

10

Data Acquisition Boards & Modules

11

Accessories

Available Accessories

Part Number	Name	Description	Qty.
N/A	Setup Guide/RoHS	AMI/BIOS Setup Guide (for CORE8)	1
N/A	User's Manual/RoHS	HSC-1711CLDN	1
N/A	Driver CD/Protective film/RoHS	HSC-1711CLDN	1
2330-000011	Jumper/RoHS	2.0mm pitch	2
2330-000041	Jumper/RoHS	2.54mm pitch, blue	2
2360-005031	Y-cable for keyboard and mouse/RoHS	One mini-DIN port to two PS/2 ports, L: 250mm/RoHS	1
2360-008331	HDD flat cable/RoHS	DMA66/HDD/CABLE/40P/80-line/L: 450mm	1
2360-009451	FDD flat cable/RoHS	(34p-34p-34p) connector (2.0mm pitch), L: 455mm/RoHS	1
2360-011221	Parallel port cable/RoHS	DB25 connector to 2x13 Pin connector (2.0mm pitch), L: 300mm/RoHS	1
2360-011231	Serial port cable/RoHS	DB9 connector to 2x5 Pin connector (2.0mm pitch), L: 300mm/RoHS	1
2360-014781	Dual USB ports with bracket/RoHS	Two USB ports to one 2x5 Pin connector (2.0mm pitch), L: 550mm/RoHS	1
2360-017781	Converter cable/RoHS	2x5 (2.0mm pitch) to 2x5 (2.54mm pitch) connector, L: 130mm	1
2372-000191	Plastic spacer column between PCB boards/RoHS	Ø4/MS-6(KSS)	1
2391-002141	Nut/RoHS	M3/GB-T6170-1986/nickel plating	3
2391-004631	Copper hex bolts/RoHS	M3x25-4/CH-M3-25-4-Ni	3

Related Product

Item	Typical Recommendation
6-slot Chassis+Backplane	IPC-6806S + IPC-6106
4U Chassis+Backplane	IPC-815H + IPC-6108
PC/104 Expansion card	104-8COM, 104-32ADT, 104-64IO, 104-4LAN
Power Supply	AT or ATX, available 160W/270W/360W

Ordering Information

Part Number	Model Number	Description
0030-000971	HSC-1711CLDN/GH	Motherboard/RoHS
0030-000990	HSC-1711CLDN/C-M1.5G/512M	Motherboard
0030-005950	HSC-1711CLDN/C-M1.5G	Motherboard
0030-000980	HSC-1711CLDN/512MB	Motherboard
0030-000940	HSC-1711CLDN	Motherboard
0030-000970	HSC-1711CLDN-GH	Motherboard

Features

- Half-Size ISA-Bus CPU Card
- Onboard ULV Intel® Celeron® M processor, optional 1.5GHz
- Onboard 256MB DDR200/266MHz system memory, optional 512MB
- Onboard 1 x Intel®10/100Mbps Ethernet controller
- Supports 1 x FDD, 2 x USB2.0, 1 x LPT, 4 x COM, 1 x IDE, 8 x GPIO
- Supports VGA+LVDS dual independent display

Display

Chipset	Intel® 852GM integrated graphics controller
Memory	64MB shared memory
Resolution	VGA mode up to 2048 x 1536@75Hz or 1600 x 1200@85Hz LVDS mode up to 1600 x 1200@18bit
Dual Display	Supports VGA+LVDS dual-channel independent display

Ethernet

Chipset	1 x Intel® 82562ET
Speed	10/100Mbps
Connector	1 x RJ 45

Mechanical and Environmental

Dimensions	185mm x 122mm
Operating Temperature	0°C~60°C (optional -15°C~65°C)
Storage Temperature	N/A
Operating Humidity	5%-90%, non-condensing

Power

Power Supply	Supports ATX/AT power supply
Power Consumption	Typical 12.5W(Celeron® M 800MHz, Onboard 256MB Memory)

Operating System

Windows OS	Windows 98SE/ Windows 2000/ Windows XP
Embedded OS	Linux/XP Embedded

Specifications

System

Processor	Onboard ULV Intel® Celeron® M 800MHz processor, optional Celeron® M 1.5GHz
Chipset	Intel® 852GM + ICH4-M
Memory	Onboard 256MB DDR200/266MHz, optional 512MB
Hardware Monitor	Monitors system status, voltage, temperature and fan speed
Watchdog Timer	1~255 sec./min. timer system reset or interrupt, setup by software
Expansion Interface	ISA-Bus, PC/104

Storage

IDE	1 x Ultra ATA33/66/100 interface
Serial ATA	N/A
Floppy	1 x FDD
CF	1 x CompactFlash Socket Type I/II
DOC/DOM	N/A

I/O Interface

USB	2 x USB2.0 Port, available interfaces of 1 x 9-pin header onboard
Serial Port	3 x RS-232, 1 x RS-232/422/485, available interface of 1 x DB9 and 3 x 10-pin header onboard
Parallel Port	1 x LPT
IrDA	N/A
GPIO	4 x GPI, 4 x GPO
Audio	N/A
Keyboard/Mouse	1 x PS/2