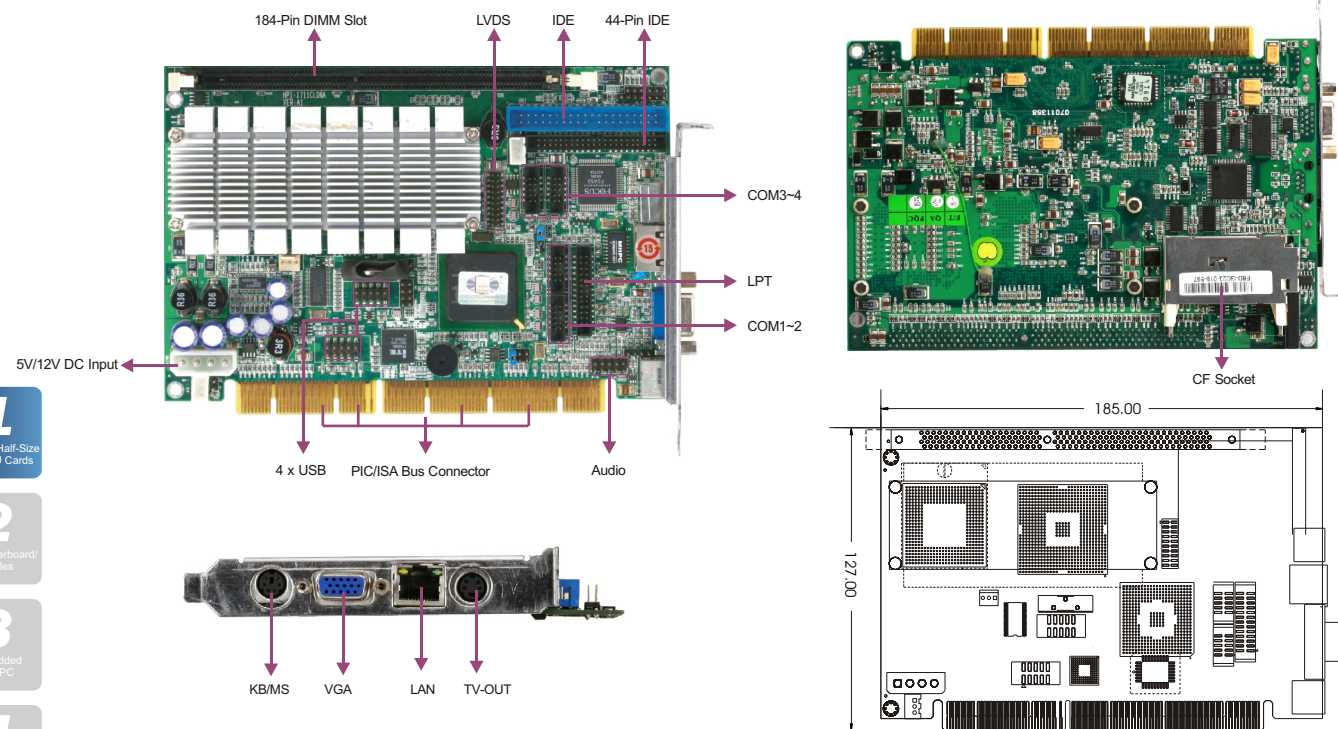
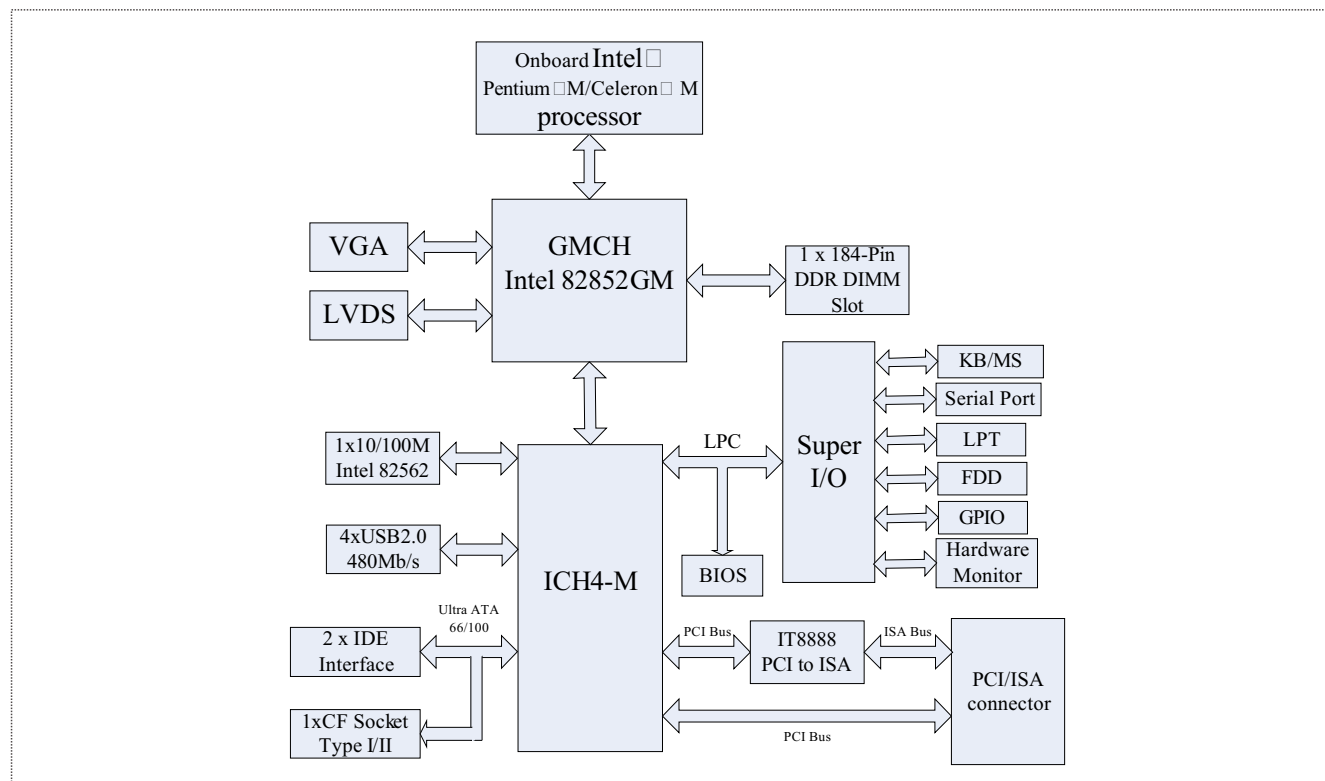


HPI-1711CLDNA

Intel® Pentium® M/Celeron® M PCI/ISA Half-size SBC with LVDS/VGA/CF/LAN/Audio



Board Diagram



1

Full-Size/Half-Size Slot CPU Cards

2

SBC/Motherboard Modules

3

Embedded Box PC

4

Network Application Computers

5

Industrial PC

6

HMI

7

EVOC Rugged Series

8

MCC Series

9

Chassis

10

Data Acquisition Boards & Modules

11

Accessories

1

Full-Size/Half-Size Slot CPU Cards

2

SBC/Motherboard Modules

3

Embedded Box PC

4

Network Application Computers

5

Industrial PC

6

HMI

7

EVOC Rugged Series

8

MCC Series

9

Chassis

10

Data Acquisition Boards & Modules

11

Accessories

Features

- Onboard Mobile Intel® processor with 400MHz FSB
- Supports 1 x 184-pin DIMM, up to 1GB DDR200/266 memory
- Onboard 1 x Intel® 10/100Mbps Ethernet controller
- Supports 4 x USB2.0, 1 x LPT, 4 x COM, 2 x IDE, 8 x GPIO
- Supports VGA, LVDS and TV-out display



Specifications

System

Processor	Onboard Mobile Intel® processor with 400MHz FSB, optional processor of Celeron® M 600MHz/800MHz or Pentium® M 1.8G
Chipset	Intel® 852GM + ICH4-M
Memory	Supports 1 x 184-pin DIMM, up to 1GB of DDR 200/266 system memory
Hardware Monitor	Monitors system status, voltage, temperature and fan speed
Watchdog Timer	1~255 sec./min. timer system reset or interrupt, setup by software
Expansion Interface	PCI/ISA
Storage	
IDE	1 x 40-pin Ultra ATA66/100 interface, 1 x 44-pin Ultra ATA66/100 interface
Serial ATA	N/A
Floppy	1 x FDD
CF	1 x CompactFlash Socket Type I/II
DOC/DOM	N/A
I/O Interface	
USB	4 x USB2.0 Port, available interfaces of 2 x 9-pin header onboard
Serial Port	3 x RS-232, 1 x RS-232/422/485, available interface of 4 x 10-pin header onboard
Parallel Port	1 x LPT
IrDA	N/A
GPIO	4 x GPI, 4 x GPO
Audio	AC'97, available interface of Speaker-out, Line-in and Mic-in
Keyboard/Mouse	1 x PS/2

Display

Chipset	Intel® 852GM integrated graphics controller
Memory	64MB shared memory
Resolution	VGA mode up to 2048 x 1536@75Hz or 1600 x 1200@85Hz LVDS mode up to 1600 x 1200@18bit
Dual Display	Supports VGA+LVDS, VGA+TV-out and LVDS+TV-out dual-channel simultaneous display

Ethernet

Chipset	1 x Intel® 82562ET
Speed	10/100Mbps
Connector	1 x RJ 45

Mechanical and Environmental

Dimensions	185mm x 127mm
Operating Temperature	0°C~60°C (optional -20°C~70°C)
Storage Temperature	N/A
Operating Humidity	5%-90%, non-condensing

Power

Power Supply	Supports ATX/AT power supply
Power Consumption	Typical 10.3W(AT, Celeron M 800MHz, 1GB DDR400) Typical 10.44W(ATX, Celeron M 800MHz, 1GB DDR400)

Operating System

Windows OS	Windows 98SE/ Windows 2000/ Windows XP
Embedded OS	Linux/XP Embedded

Available Accessories

Part Number	Name	Description	Qty.
2330-000021	Jumper/RoHS	2.54mm pitch, black	1
2330-000041	Jumper/RoHS	2.54mm pitch, blue	6
2360-000591	Audio cable/RoHS	Three audio jacks to one 2x5 Pin connector (2.54mm pitch), length: 550mm/RoHS	1
2360-002571	Dual USB ports with bracket/B4/RoHS	Two USB ports to one 2x5 Pin, length: 210mm/RoHS	1
2360-005031	Y-cable for keyboard and mouse/RoHS	One mini-DIN port to two PS/2 ports, length: 250mm/RoHS	1
2360-008331	HDD flat cable/RoHS	DMA66/HDD/CABLE/40P/80-line/length: 450mm	1
2360-008471	HDD flat cable/RoHS	44 Pin HDD cable (2.0mm pitch), length: 150	1
2360-011221	Parallel port cable/RoHS	DB25 connector to 2x13 Pin connector (2.0mm pitch), length: 300mm/RoHS	1
2360-011231	Serial port cable/RoHS	DB9 connector to 2x5 Pin connector (2.0mm pitch), length: 300mm/RoHS	4
N/A	Setup Guide/RoHS	AMI/BIOS Setup Guide (for CORE/8)	1
N/A	Driver CD/Protective film/RoHS	HPI-1711CLDNA	1
N/A	User's Manual/RoHS	HPI-1711CLDNA	1

Related Product

Item	Typical Recommendation
6-slot Chassis+Backplane	IPC-6806S + HPI-6106P3
4U Chassis+Backplane	IPC-815H + HPI-6108P4
PCI/ISA Expansion card	PCI-64AD, PCI-I64DIO, PCI-16P16R, C104, C168, PCL-730, PCL-726
Power Supply	AT or ATX, available 160W/270W/360W/400W

Ordering Information

Part Number	Model Number	Description
0030-006751	HPI-1711CLDNA/800M	Motherboard/RoHS
0030-006750	HPI-1711CLDNA/800M	Motherboard
0030-003920	HPI-1711CLDNA/600M	Motherboard
0030-003910	HPI-1711CLDNA/P-M1.8G	Motherboard