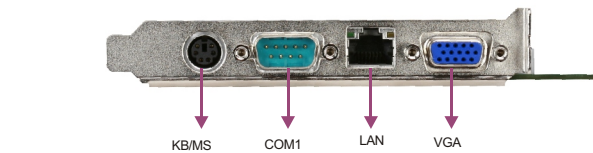
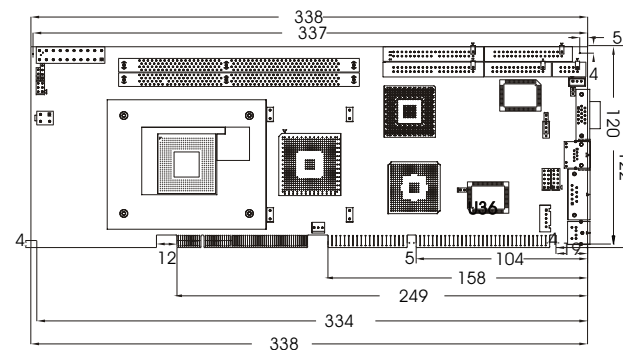
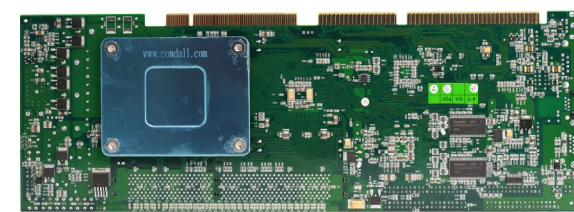
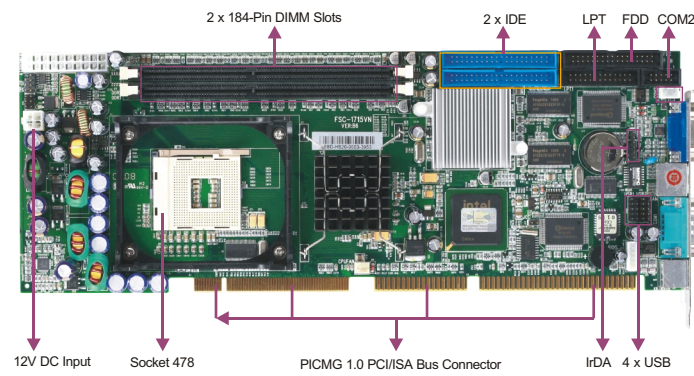


# FSC-1715VN

Full-Size PICMG1.0 Socket 478 CPU Card with VGA/LAN



## Features

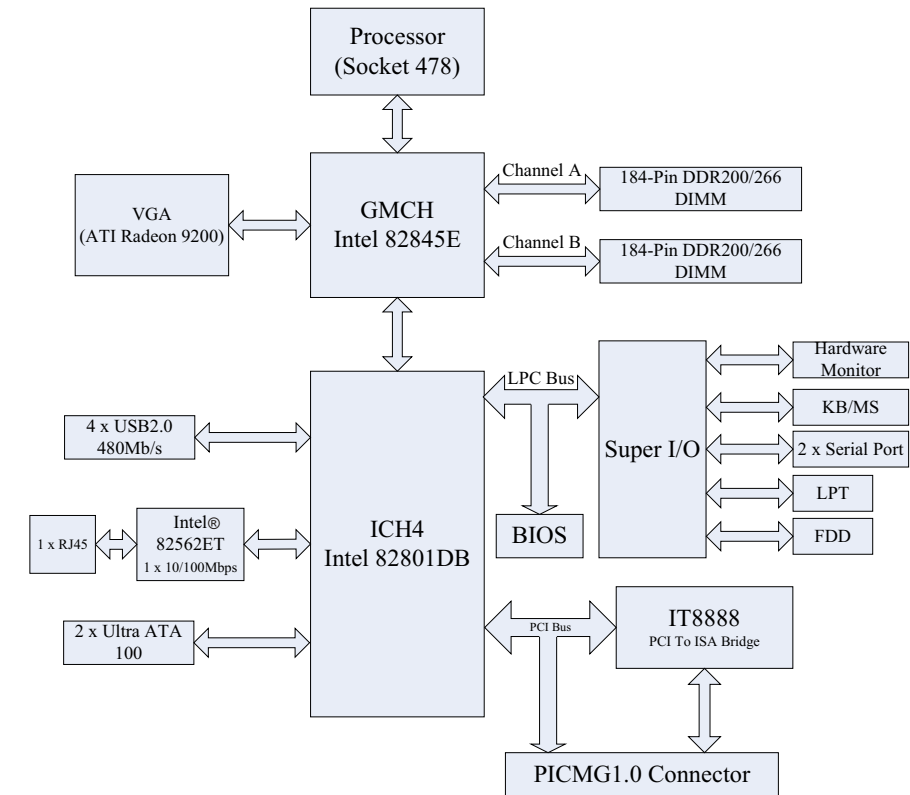
- PICMG1.0 Full-Size CPU Card
- Onboard ATI Radeon™ 9250 graphics processing Unit(GPU)
- Supports 400/533MHz FSB Pentium® 4 processor in 478-pin package
- Supports 2 x 184-pin DIMM, up to 2GB of DDR200/266 memory
- Supports 1 x Intel® 10/100Mbps Ethernet interface
- Supports 4 x USB2.0, 1 x LPT, 2 x COM, 1 x PS/2, 1 x FDD, 1 x IrDA

## Specifications

System	
Processor	Supports 400/533MHz FSB Pentium® 4 and Celeron® D processor in the 478-pin package, available from 1.6 GHz to 3.06GHz
Chipset	Intel® 845E + ICH4
Memory	Supports 2 x 184-pin DIMM, up to 2GB DDR200/266 Dual channel memory
Hardware Monitor	Monitors system status, voltage, temperature and fan speed
Watchdog Timer	1~255 sec./min. timer system reset or interrupt, setup by software
Expansion Interface	PICMG1.0
Storage	
IDE	2 x Ultra ATA 66/100 interface
Serial ATA	N/A
Floppy	1 x FDD
CF	N/A
DOC/DOM	N/A
I/O Interface	
USB	4 x USB2.0 Ports, available interface of 2 x 9-pin header onboard
Serial Port	2 x RS-232, available interfaces of 1 x DB9 and 1 x 10-pin header onboard
Parallel Port	1 x LPT
IrDA	SIR 115 kbps, IrDA 1.0 compliant
GPIO	N/A
Audio	N/A
Keyboard/Mouse	1 x PS/2

Display	
Chipset	Onboard ATI Radeon™ 9250 2D/3D GPU
Memory	64MB DDR independent video memory
Resolution	VGA mode up to 2048 x 1536@75Hz
Dual Display	N/A
Ethernet	
Chipset	1 x Intel® 82562ET
Speed	10/100Mbps
Connector	1 x RJ45
Mechanical and Environmental	
Dimensions	338mm x 122mm
Operating Temperature	0°C~60°C (optional -40°C~70°C)
Storage Temperature	N/A
Operating Humidity	5%-90%, non-condensing
Power	
Power Supply	Supports ATX /AT power supply
Power Consumption	Typical 43.9W(Pentium® 4 2.4G/533MHz CPU, 256MB DDR memory)
Operating System	
Windows OS	Windows 98SE/ Windows 2000/ Windows XP
Embedded OS	Linux/XP Embedded

## Board Diagram



## Available Accessories

Part Number	Name	Description	Qty.
2330-000041	Jumper/RoHS	2.54mm pitch, blue	4
2340-002421	Cooler/RoHS	Fan + Heat sink JAP-2B	1
2360-000431	P4 power cable/RoHS	5P to 3P/ATX/Power cable	1
2360-002571	Dual USB ports with bracket/B4/RoHS	Two USB ports to one 2x5 Pin, length: 210mm/RoHS	1
2360-005031	Y-cable for keyboard and mouse/RoHS	One mini-DIN port to two PS/2 ports, length: 250mm/RoHS	1
2360-008331	HDD flat cable/RoHS	DMA66/HDD/CABLE/40P/80-line/length: 450mm	1
2360-009031	FDD flat cable/RoHS	34P/Floppy disk/Data/Cable/200/350	1
2360-009081	HDD flat cable/RoHS	40P/Hard disk/Data/Cable/DMA33/150/350	1
2360-009941	Parallel and serial port cable with bracket/RoHS	DB25 connector to 2x13 Pin, DB9P connector to 10-Pin (2x5)/RoHS	1
NV	User's Manual/RoHS	FSC-1715VN	1
NV	Driver CD/Protective film/RoHS	FSC-1715VN	1

## Related Product

Item	Typical Recommendation	
Intel® Pentium®/Celeron®	Pentium® 4 2.8G/533MHz, Pentium®4 2.4G/533MHz, Celeron® 2.8G/533MHz, Celeron® 2.0G/400MHz	
4U Chassis + Backplane	4U Chassis	IPC-810B, IPC-8421, IPC-2402, IPC-2403, IPC-2404, SPC-0401
	Backplane	IPC-6114P12, IPC-6114P7, IPC-6113LP4
Wallmount Chassis + Backplane	IPC-6810	
	IPC-6108P6	
Power Supply	ATX 270W/350W/400W/500W Power Supply (optional)	

## Ordering Information

Part Number	Model Number	Description
0030-005741	FSC-1715VN/VER.B	Motherboard/RoHS
0030-005740	FSC-1715VN/VER.B	Motherboard
0030-000220	FSC-1715VN/Wide-temperature	Motherboard
0030-000190	FSC-1715VN(B)	Motherboard