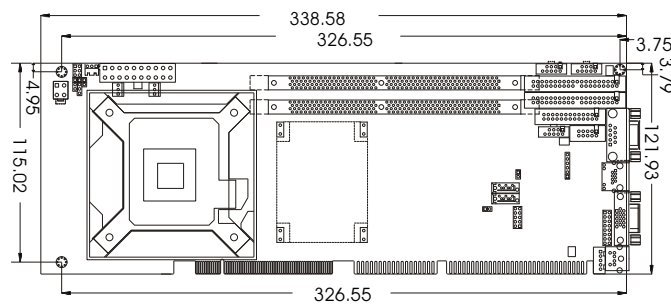
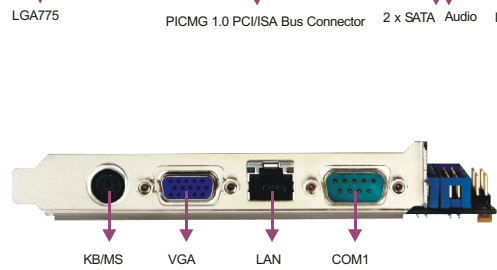
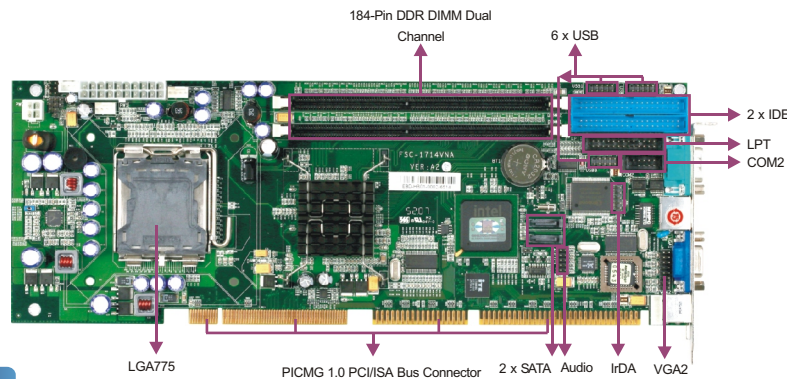


# FSC-1714VNA

Full-Size PICMG1.0 LGA775 CPU Card with VGA/LAN/Audio



## Features

- PICMG1.0 Full-Size CPU Card
- Supports 533/800MHz FSB Pentium® D and Celeron® D in LGA775
- Supports 2 x 184-pin DIMM, up to 2GB of DDR memory
- Supports 1 x Intel® 10/100Mbps Ethernet interface
- Supports 6 x USB2.0, 1 x LPT, 2 x COM, 1 x PS/2, 1 x IrDA

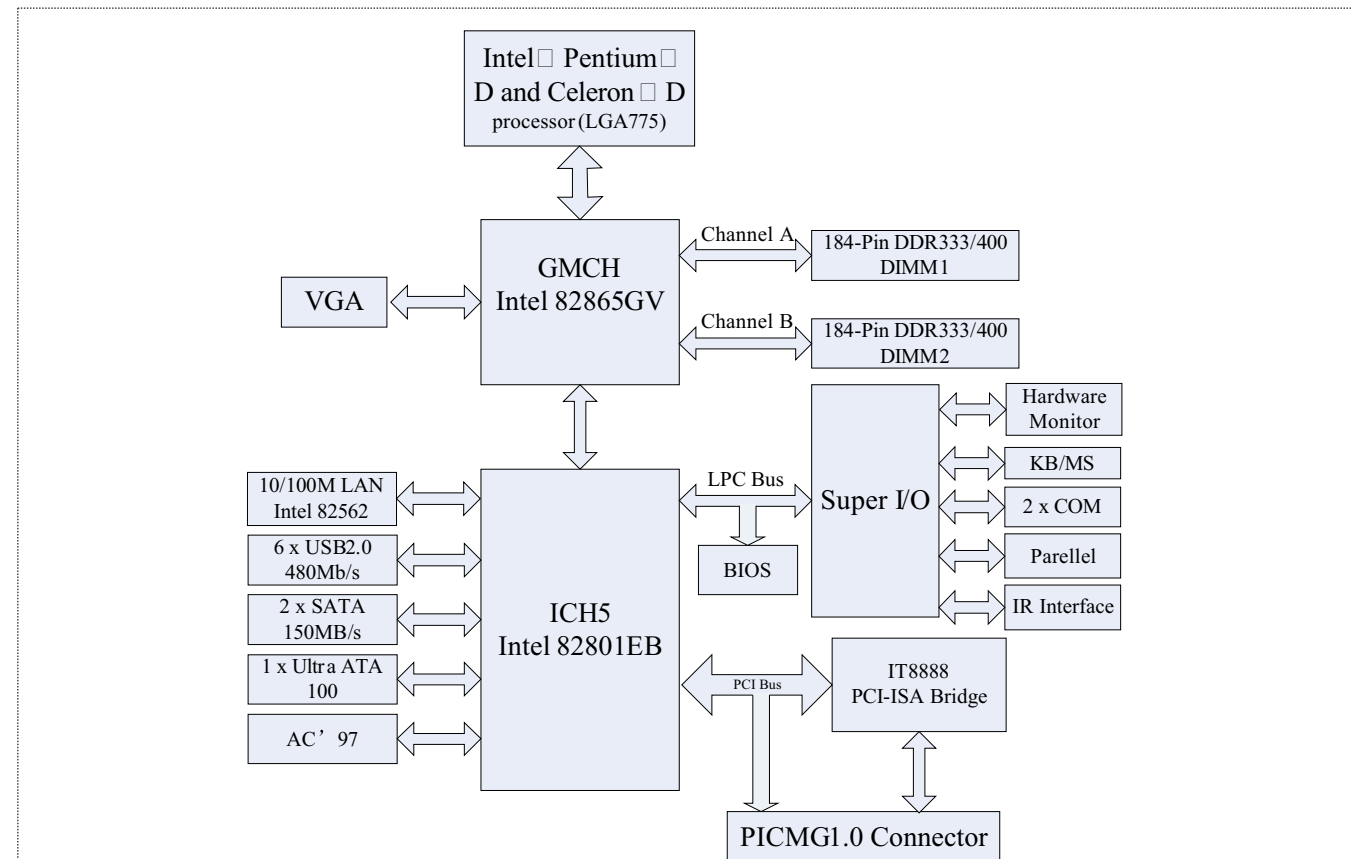


## Specifications

System	
Processor	Supports 533/800MHz FSB Intel® Pentium® D and Celeron® D processor in the 775-pin package, available from 2.66 GHz to 3.6GHz
Chipset	Intel® 865GV + ICH5
Memory	Supports 2 x 184-pin DIMM, double-channel, up to 2GB of DDR266 /333/400 memory
Hardware Monitor	Monitors system status, voltage, temperature and fan speed
Watchdog Timer	1~255 sec./min. timer system reset or interrupt, setup by software
Expansion Interface	PICMG1.0 PCI/ISA Bus
Storage	
IDE	2 x 40-pin Ultra ATA/100 interface
Serial ATA	2 x Serial ATA 150MB/s interface
Floppy	N/A
CF	N/A
DOC/DOM	N/A
I/O Interface	
USB	6 x USB2.0 Port, available interfaces of 9-pin header onboard
Serial Port	2 x RS-232, available interfaces of 1 x DB9 and 1 x 10-pin header onboard
Parallel Port	1 x LPT
IrDA	SIR 115 kbps, IrDA 1.1 compliant
GPIO	N/A
Audio	AC'97, available interfaces of Speaker-out, Line-in and Mic-in
Keyboard/Mouse	1 x PS/2

Display	
Chipset	Intel® 865GV integrated graphics acceleration controller at 266MHz
Memory	64MB shared memory
Resolution	VGA mode up to 2048 x 1536@75Hz and 1600 x 1200@85Hz
Dual Display	Supports VGA+VGA Dual simultaneous display
Ethernet	
Chipset	1 x Intel® 82562ET
Speed	10/100Mbps
Connector	1 x RJ 45
Mechanical and Environmental	
Dimensions	338mm x 122mm
Operating Temperature	0°C~60°C (optional -30°C~70°C)
Storage Temperature	N/A
Operating Humidity	5%-90%, non-condensing
Power	
Power Supply	Supports ATX/AT power supply
Power Consumption	Typical 70W (Intel® Pentium®D/925/3.0G/800MHz CPU, 1GB DDR400 memory)
Operating System	
Windows OS	Windows 98SE/ Windows 2000/ Windows XP
Embedded OS	Linux/XP Embedded

## Board Diagram



## Available Accessories

Part Number	Name	Description	Qty.
N/A	Driver CD/Protective film/RoHS	FSC-1714VNA	1
2360-000431	P4 power cable/RoHS	5P to 3P/ATX/Power cable	1
2360-002571	Dual USB ports with bracket/B4/RoHS	Two USB ports to one 2x5 Pin, length: 210mm/RoHS	2
2360-005031	Y-cable for keyboard and mouse/RoHS	One mini-DIN port to two PS/2 ports, length: 250mm/RoHS	1
2360-008331	HDD flat cable/RoHS	DMA66/HDD/CABLE/40P/80-line/length: 450mm	1
2360-009081	HDD flat cable/RoHS	40P/Hard disk/Data/Cable/DMA33/150/350	1
2360-009941	Parallel and serial port cable with bracket/RoHS	DB25 connector to 2x13 Pin, DB9P connector to 10-Pin (2x5)/RoHS	1
2360-011141	Audio cable with bracket/RoHS	Three audio connectors with bracket to 2x5 Pin, length: 300mm/FSC-1731VNRA	1
2360-017961	SATAHDD cable/RoHS	SATA7 Pin to SATA7 Pin with elbow connector, length: 550mm/RoHS	1
N/A	Setup Guide/RoHS	AMI/BIOS Setup Guide (for CORE/8)	1
N/A	User's Manual/RoHS	FSC-1714VNA	1
2330-000041	Jumper/RoHS	2.54mm pitch, blue	4

## Related Product

Item	Typical Recommendation
Intel® Pentium® Series CPU	Pentium® 4/531/3.0G/800MHz, Pentium® D /805/2.66G/800MHz, Pentium® D /915/2.8G/800MHz, Pentium® D /925/3.0G/800MHz
4U Chassis + Backplane	4U Chassis: IPC-810B, IPC-8421, IPC-2402, IPC-2403, IPC-2404.SPC-0401 Backplane: IPC-6114P12, IPC-6114P7, IPC-6113LP4
Power Supply	ATX 270W/350W/400W/500W Power Supply (optional)

## Ordering Information

Part Number	Model Number	Description
0030-005831	FSC-1714VNA	Motherboard/RoHS
0030-005830	FSC-1714VNA	Motherboard