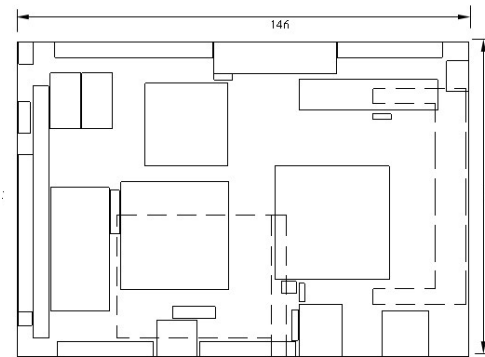
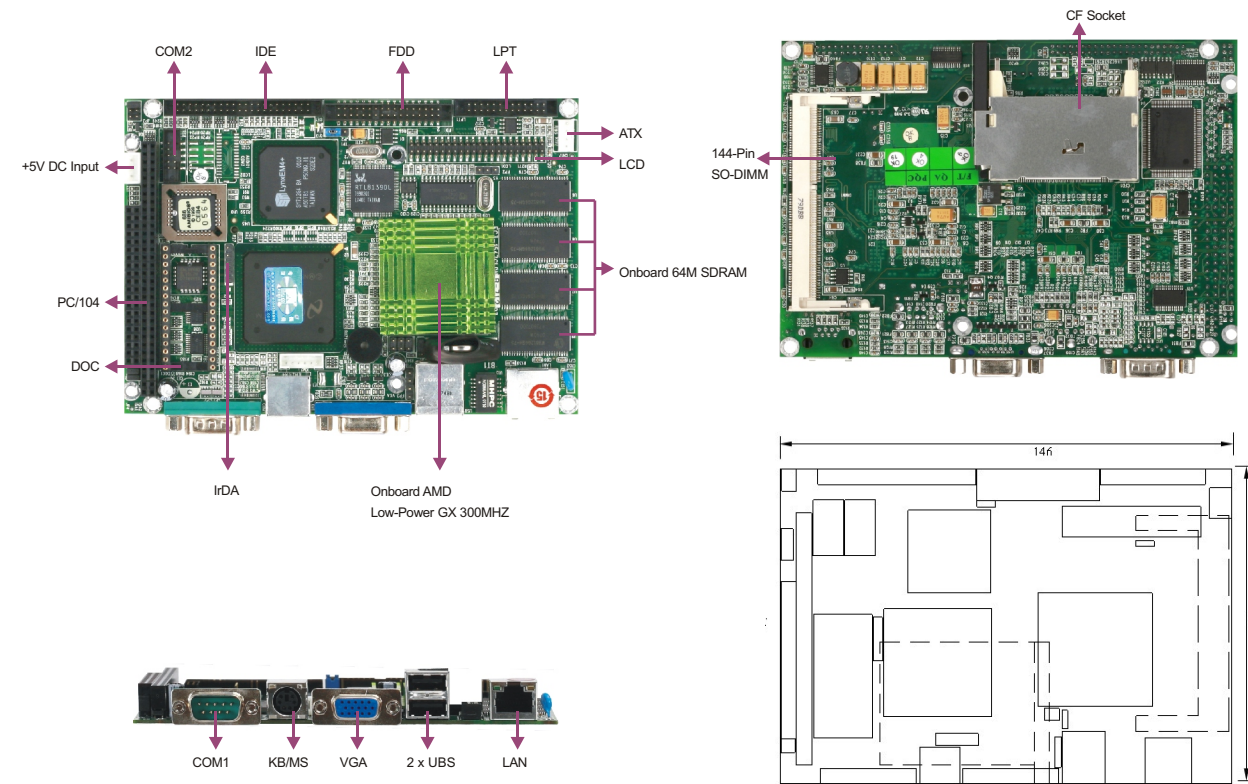


EC3-1547CLDNA(B)

3.5 SBC with GX CPU/Memory and LCD/CRT/SSD/AUDIO



Features

- Integrates NS GX1 low-power CPU onboard
- Integrates 64MB memory onboard
- 10/100Mbps Ethernet interface
- CompactFlash socket
- +5V single power supply

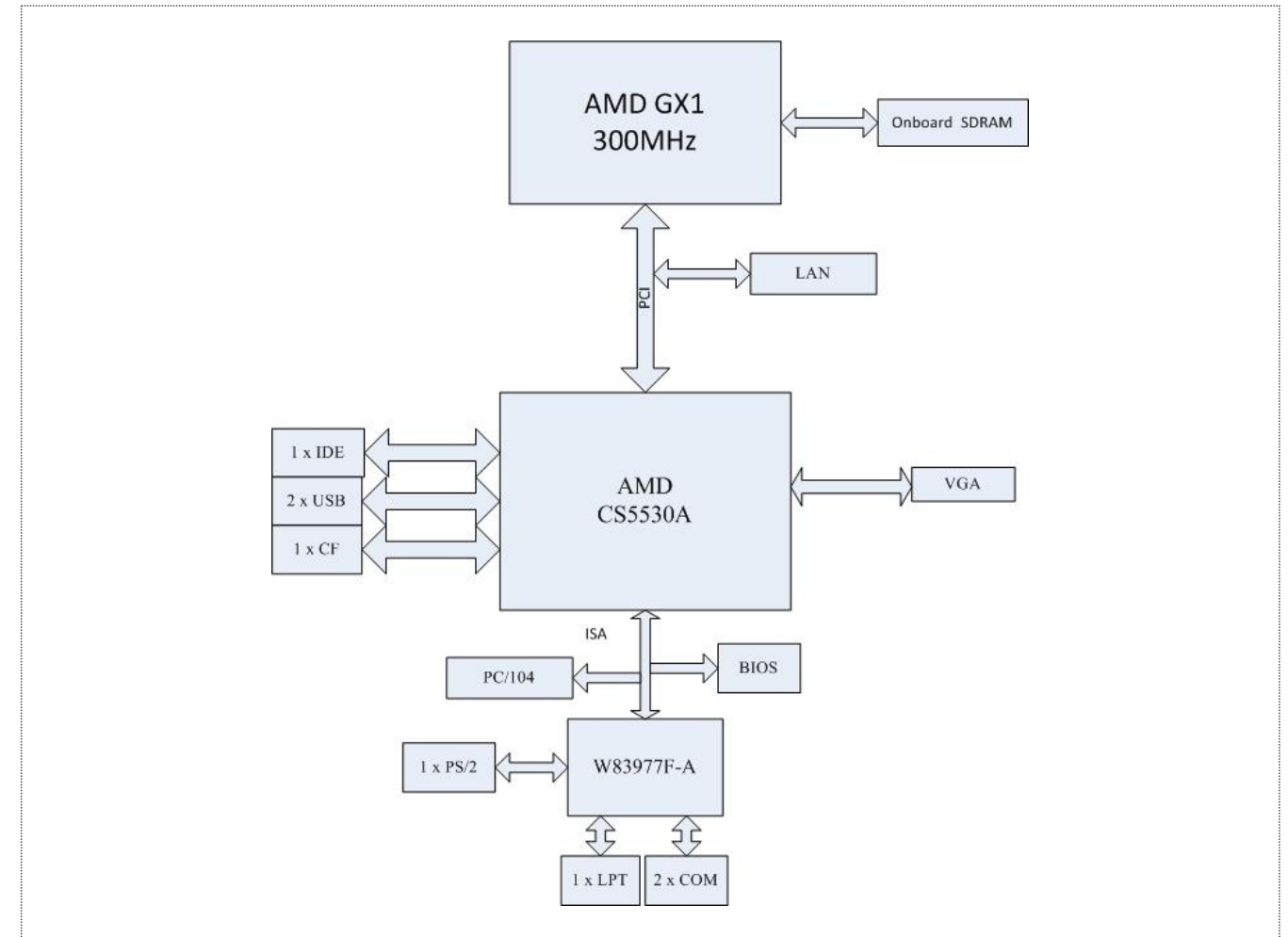


Specifications

System	
Processor	Integrates enhanced low-power NS Gx1 300MHz CPU, fanless design
Chipset	NS CS5530A
Memory	Onboard 64MB SDRAM with 1 x 144-pin SO-DIMM socket (up to 128MB), up to 192MB SDRAM
Hardware Monitor	Monitors system status, voltage, temperature and fan speed
Watchdog Timer	1~255 sec./min. timer system reset or interrupt, setup by software
Expansion Interface	PC/104 bus
Storage	
IDE	One 44-pin IDE interface, supporting two IDE devices
Serial ATA	N/A
Floppy	1 x FDD
CompactFlash	1 x CompactFlash socket (optional)
DOC/DOM	1 x DOC
I/O Interface	
USB	2 x USB1.1
Serial Port	1 x RS232, 1 x RS232/422/485
Parallel Port	1 x LPT
IrDA	1 x IrDA
GPIO	N/A
Audio	AC'97 audio

Display	
Display Controller	Integrates NS CS5530A chip, supporting both CRT and 18-bit TFT LCD
Display Memory	4MB shared memory
Resolution	VGA mode: up to 2048 x 1536@75Hz
Dual Display	N/A
Ethernet	
Ethernet Controller	1 x 10/100Mbps Ethernet controller
Speed	10/100Mbps
Connector Interface	1 x RJ45
Mechanical and Environmental	
Dimensions	146mm x 102mm
Operating Temperature	0°C~60°C
Storage Temperature	N/A
Operating Humidity	5%-90%, non-condensing
Power	
Power Supply	Single +5V AT power supply or ATX power supply
Power Consumption	+5V@1.5A
Operating System	
Windows OS	Windows NT 4.0/Windows 98SE
Embedded OS	Linux/XP Embedded

Board Diagram



Available Accessories

Part Number	Name	Description	Qty.
—	CD/burning	EC3-1547CLDNA/B	1
2330-000011	Jumper/RoHS	2.0mm pitch	6
2331-002251	Pin header/RoHS	2x20 Pin, 2.54mm pitch, two sides of equal length: 6+6mm	1
2331-002261	Pin header/RoHS	2x32 Pin, 2.54mm pitch, two sides of equal length: 6+6mm	1
2331-002421	Socket/RoHS	PC104 2x32 Pin long socket, plastics height: 8.5mm, pin height: 5.65mm	1
2331-002561	Socket/RoHS	PC104 2x20 Pin long socket, plastics height: 8.5mm, pin height: 5.65mm	1
2360-005030	Y-cable for keyboard and mouse	One Mini-DIN port to two PS/2 ports, length: 250mm/RoHS	1
2360-008780	Flat cable	40 Pin to 44 Pin (2.0mm pitch), length: 550mm/RoHS	1
2360-009090	Flat cable	44 Pin (2.0) HDD cable, length: 400	1
2360-009450	FDD flat cable	(34p-34p) connector (2.0mm pitch), length: 455mm/RoHS	1
2360-011210	Audio cable	Three audio jacks to one 2x5 Pin connector (2.0mm pitch), length: 300mm/RoHS	1
2360-011220	Converter cable	DB25 connector to 2x13 Pin connector (2.0mm pitch), length: 300mm/RoHS	1
2360-011230	Converter cable	DB9 connector to 2x5 Pin connector (2.0mm pitch), length: 300mm/RoHS	1
2391-002141	Nut/RoHS	M3/GB-T6170-1986/nickel plating	4
2391-004631	Copper hex bolts/RoHS	M3x25-4/CH-M3-25-4-Ni	4
—	User's Manual	EC3-1547CLDNA(B)	1

Ordering Information

Part Number	Model Number	Description
0030-002020	EC3-1547CLDNA(B)	Motherboard
0030-006200	EC3-1547CLDNA(B)/long pin/Conformal coating	Motherboard/long pin/Conformal coating
0030-005980	EC3-1547CLDNA(B)/Conformal coating	Motherboard/Conformal coating