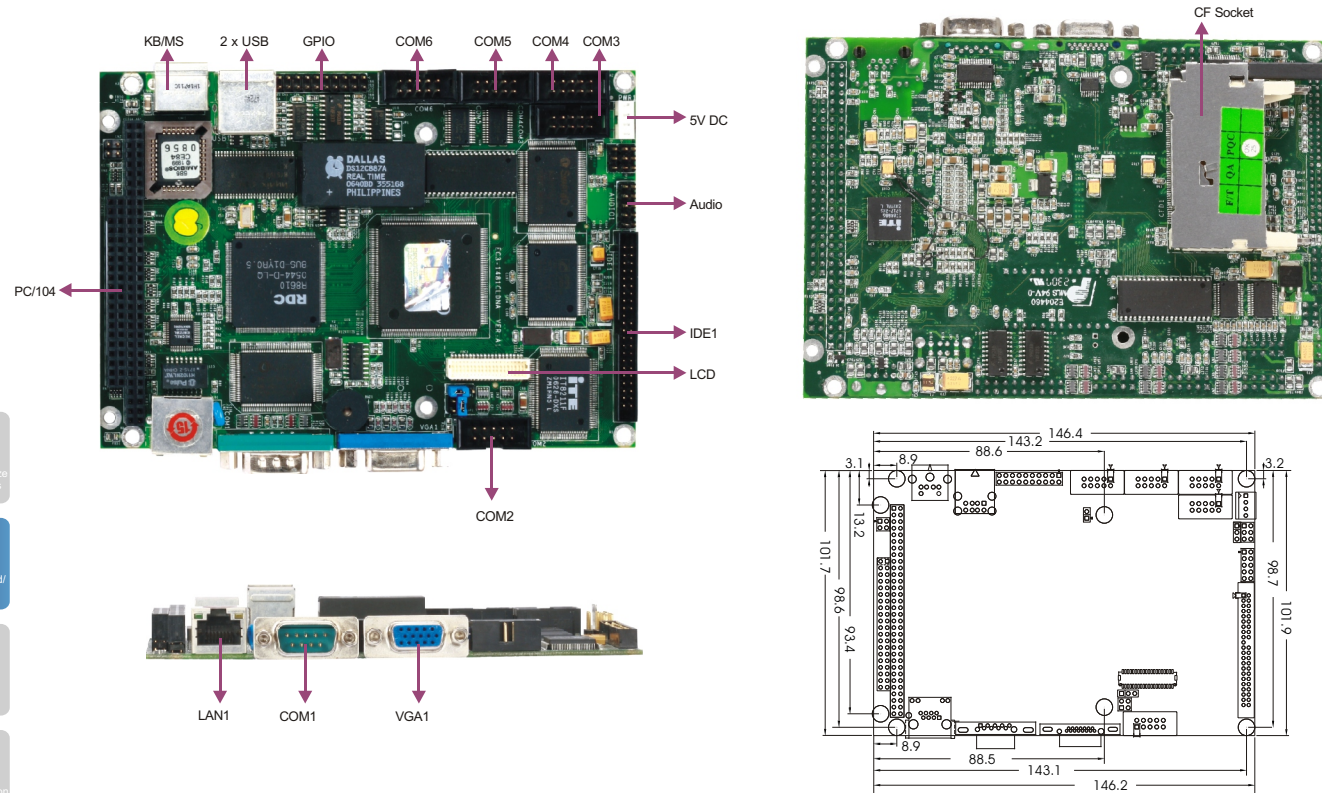
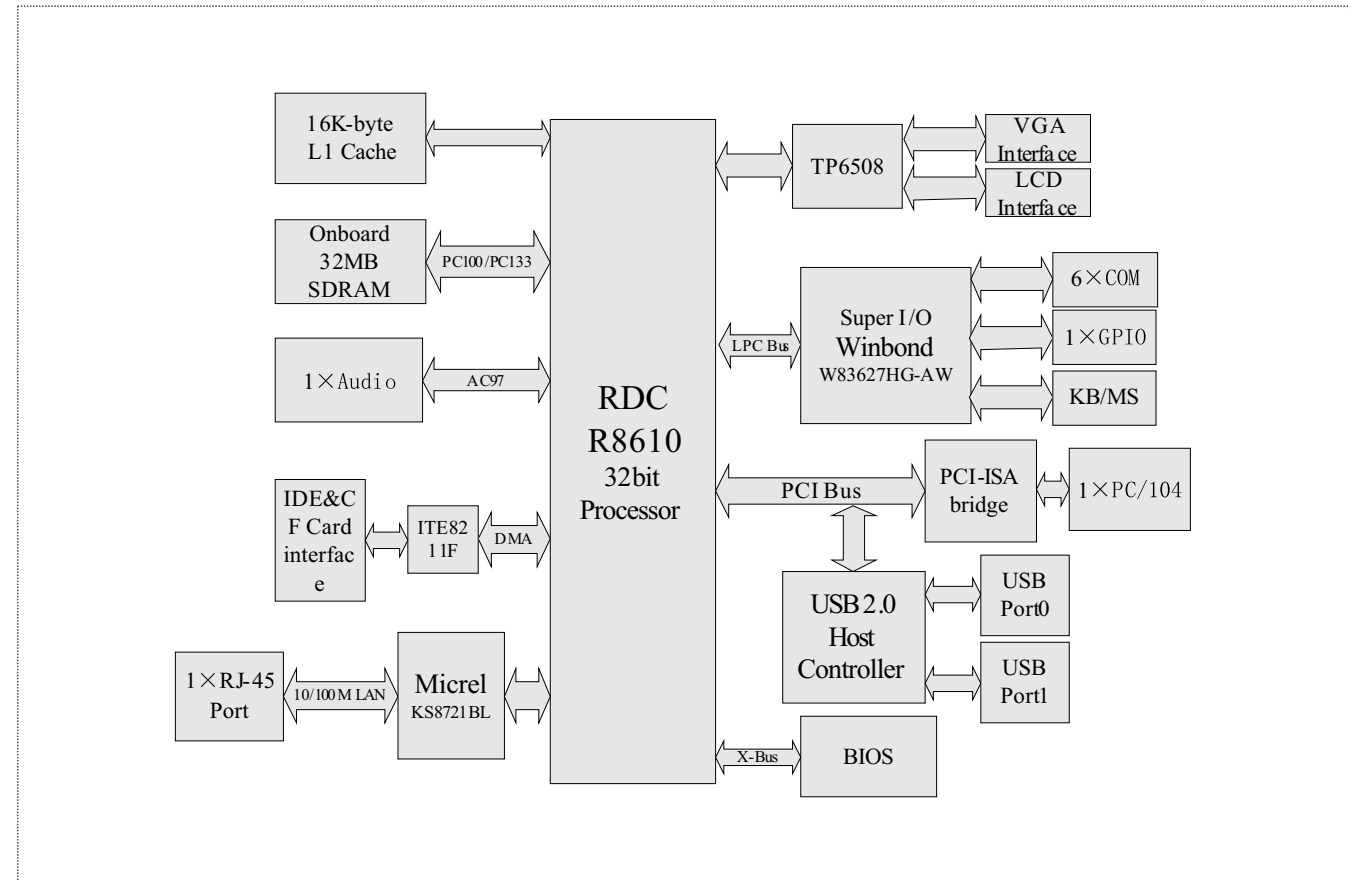


# EC3-1481CLDNA

3.5" Wide-temperature SBC with CPU and VGA/CF/LAN/CF/Audio



## Board Diagram



### Features

- 3.5" 486-level SBC with PC/104 bus
- Onboard RDC8610 133MHz processor
- Onboard 32MB SDRAM
- Supports VGA+LCD dual display
- Supports 2 x USB2.0, 1 x VGA, 6 x COM, 1 x IDE, 1 x PC/104

### Available Accessories

Part Number	Name	Description	Qty.
—	Driver CD/Protective film/RoHS	EC3-1481CLDNA	1
—	User's Manual/RoHS	EC3-1481CLDNA	1
2330-000041	Jumper/RoHS	2.54mm pitch, blue	2
2360-000841	Audio cable/RoHS	Three audio jacks to one 2x5 Pin, length: 220mm/RoHS	1
2360-002621	Serial port cable/RoHS	DB9 connector to IDC 2x5 Pin connector (2.54mm pitch), length: 250mm/RoHS	5
2360-005031	Y-cable for keyboard and mouse/RoHS	One Mini-DIN port to two PS/2 ports, length: 250mm/RoHS	1
2360-008781	HDD cable/RoHS	40 Pin to 44 Pin (2.0mm pitch), length: 550mm/RoHS	1

### Related Product

Item	Typical Recommendation
PC/104 Expansion Card	104-8COM, 104-32ADT, 104-64IO
Power Supply	AT or ATX

### Ordering Information

Part Number	Model Number	Description
0030-006330	EC3-1481CLDNA	Motherboard
0030-010651	EC3-1481CLDNA/TC/Conformal coating	Motherboard/RoHS/TC/Conformal coating
0030-007210	EC3-1481CLDNA/Conformal coating	Motherboard/CConformal coating
0030-007211	EC3-1481CLDNA/Conformal coating	Motherboard/RoHS/Conformal coating

### Specifications

System	
Processor	Onboard RDC8610 133MHz low power consumption processor
Chipset	RDC8610
Memory	Onboard 32MB SDRAM
Hardware Monitor	N/A
Watchdog Timer	Offers two watchdogs, one is Super I/O watchdog, supporting 1~255 level timer system reset/interrupt, setup by software; one is CPU watchdog, supporting 8 level timer system reset/interrupt, setup by software
Expansion Interface	1 x PC/104
Storage	
IDE	1 x 44-pin Ultra ATA 33/66/100 interface
Serial ATA	N/A
Floppy	N/A
CF	1 x CompactFlash Socket Type I/II
DOC/DOM	N/A
I/O Interface	
USB	2 x USB2.0 port, available interface of 9-pin header onboard
Serial Port	1 x RS-232/485, 5 x RS-232, available interface of 1 x DB9 and 5 x 10-pin header onboard
Parallel Port	N/A
IrDA	N/A
GPIO	8 x GPI, 8 x GPO
Audio	Onboard CMI 8738. Supports AC'97, available interfaces of Speaker-out, Line-in and Mic-in

Display	
Chipset	Onboard TP6508 display controller
Memory	1MB independent video memory
Resolution	VGA mode up to 800 x 600@75Hz LCD mode up to 800 x 600@18/24bits
Dual Display	Supports CRT+LCD simultaneous display
Ethernet	
Chipset	Micrel KS8721BL
Speed	10/100Mbps
Connector	1 x RJ 45
Mechanical and Environmental	
Dimensions	146mm x 102mm
Operating Temperature	-40°C~85°C
Storage Temperature	N/A
Operating Humidity	5%-90%, non-condensing
Power	
Power Supply	Single +5V power supply
Power Consumption	Typical 5.3W (RDC8610 133MHz processor, 32MB memory)
Operating System	
Windows OS	DOS
Embedded OS	WinCE/Linux
Test	
EMC/EMI	GB9254-1998 Class A

1

Full-Size/Half-Size Slot CPU Cards

2

SBC/Motherboard/Modules

3

Embedded Box PC

4

Network Application Computers

5

Industrial PC

6

HMI

7

EVOG Rugged Series

8

MCC Series

9

Chassis

10

Data Acquisition Boards & Modules

11

Accessories

1

Full-Size/Half-Size Slot CPU Cards

2

SBC/Motherboard/Modules

3

Embedded Box PC

4

Network Application Computers

5

Industrial PC

6

HMI

7

EVOG Rugged Series

8

MCC Series

9

Chassis

10

Data Acquisition Boards & Modules

11

Accessories