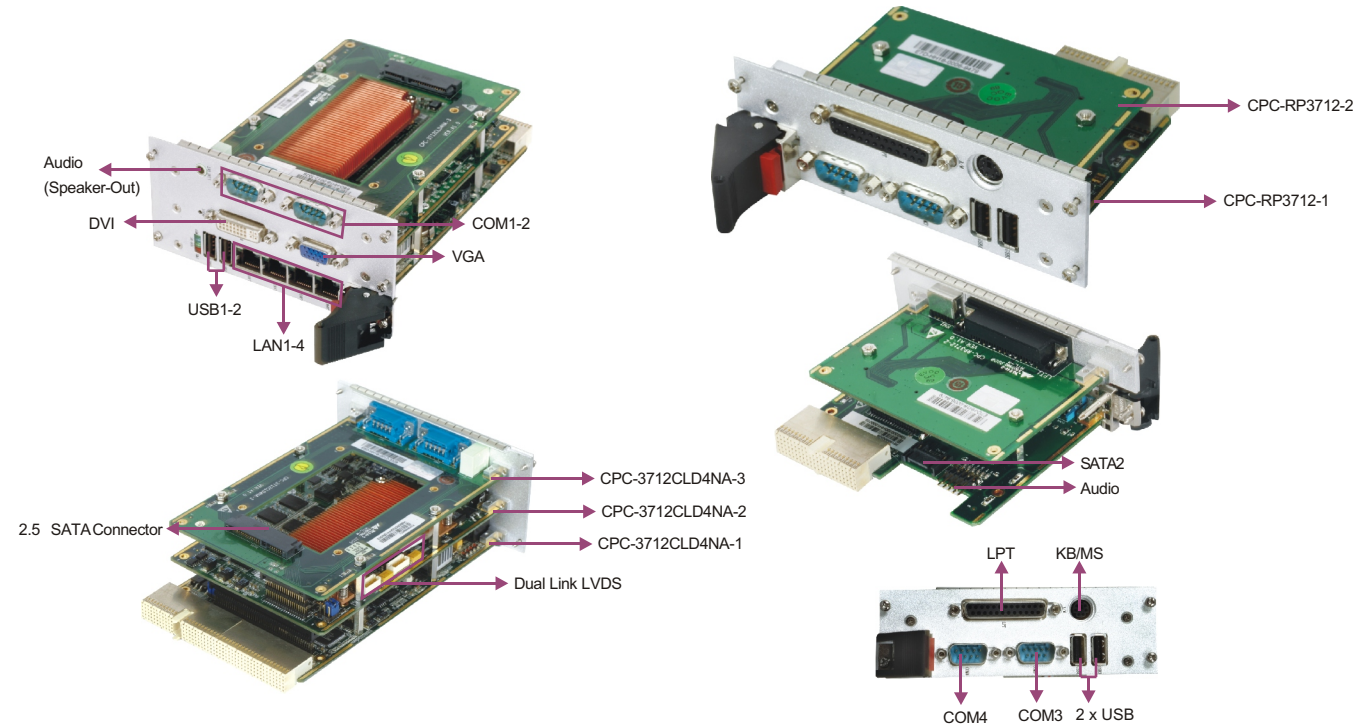


# CPC-3712CLD4NA



Wide temperature Intel® Pentium® M CompactPCI Boards with VGA/LVDS/CF/4GbE/Audio



## Features

- Onboard Intel® Pentium® M LV 1.4G or Celeron® M600MHz processor
- Onboard 1GB DDR2 400 dual channel memory
- Supports 4 x Intel® 10/100M/1000Mbps Ethernet interface via PCI-E X4 bus
- Supports VGA+LVDS dual independent display
- PICMG 2.1 R2.0 Hot Swap specification compliant
- PICMG 2.0 R3.0 CompactPCI specification compliant
- Selectable 3U rear I/O board: CPC-RP3712-1, CPC-RP3712-2

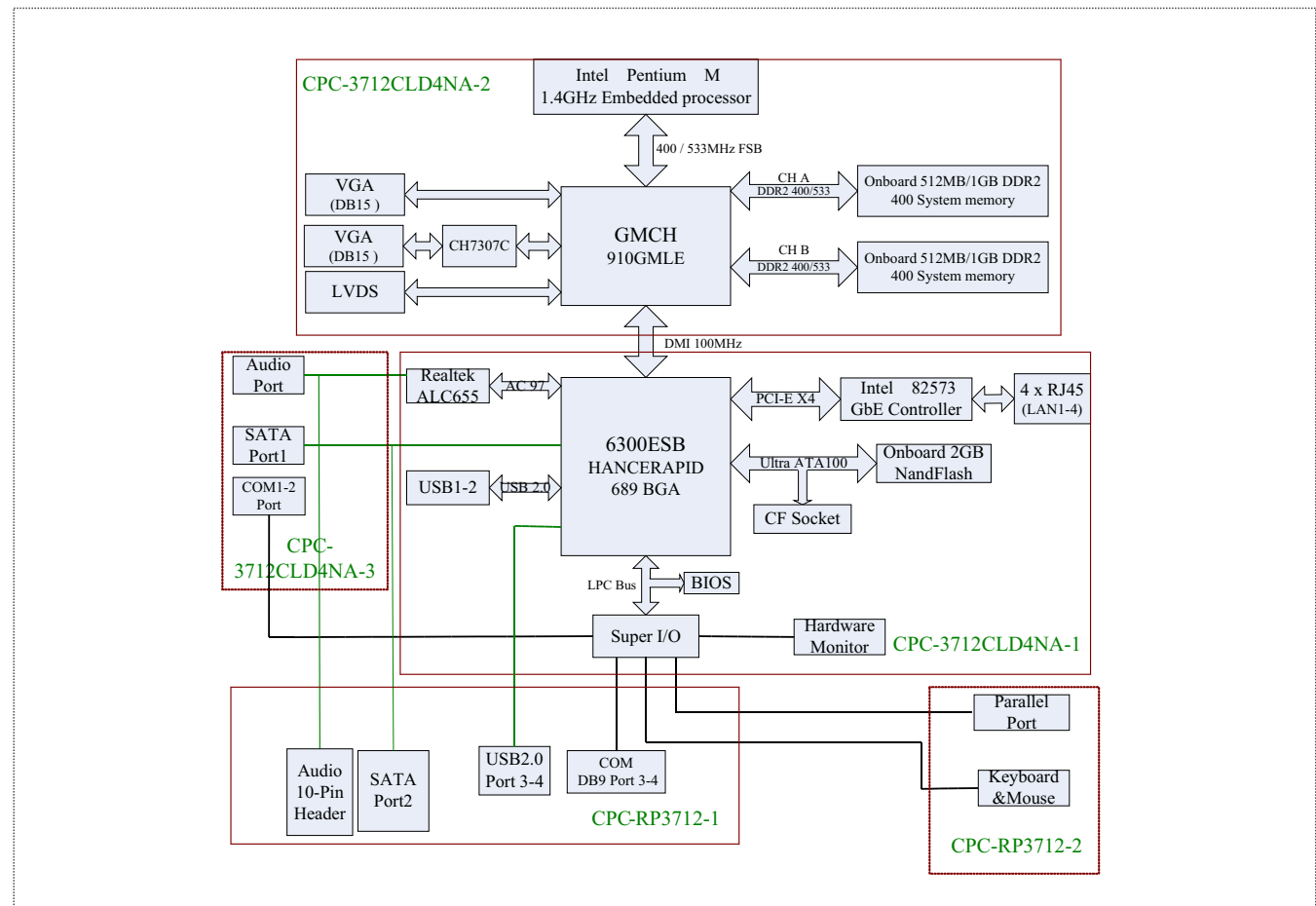


## Specifications

System		
Processor	Onboard Intel® Pentium® M 1.4G processor, with 2M L2 cache ,400/533MHz FSB (Optional Intel® Celeron® M 600MHz processor)	
Chipset	Intel® 910GML + ICH6-M	
Memory	Onboard 1GB DDR2 400 dual channel memory, up to 2GB	
Hardware Monitor	Monitors system status, voltage, temperature and fan speed etc.	
Watchdog Timer	1~255 sec./min. timer system reset or interrupt, setup by software	
Expansion Interface	Compliant with PICMG2.0 R3.0, PICMG2.1 R2.0, PICMG2.5(R1.0 H.110), PICMG2.16, IPVMI 2.0	
Storage Interface		
Serial ATA	CPC-3712CLD4NA: Onboard 1 x 2.5" SATA hard disk interface(with power supply and signal) CPC-RP3712: 1 x Serial ATA150MB/s interface	
Flash ROM	Onboard 2GB NAND flash	N/A
CF	1 x CompactFlash socket	N/A
I/O Interface		
USB	2 x USB2.0 port	2 x USB2.0 port
Serial Port	2 x RS232(DB9 port)	2 x RS232 (DB9 port)
Parallel Port	N/A	1 x parallel port
PMC	N/A	N/A
Display Port	1 x VGA, 1 x DVI, 1 x dual-link 18bit LVDS	N/A
Audio	Onboard Realtek ALC655 Audio controller, 1 x Audio port(Speaker-out)	1 x 10-pin header onboard(Speaker-out, Mic-in, Line-out)
KB/MS	N/A	1 x PS/2(KB/MS) Port
Ethernet		
Chipset	4 x Intel® 82573E GbE Controller via PCI-E x4 Bus	N/A
Connector	4 x RJ45 Giga port	N/A

Display	
Chipset	Intel® 910GML integrated GMA900, core speed at 200MHz
Memory	Up to 128MB shared system memory
Resolution	VGA mode up to 1600 x 1200 @85Hz or 2048 x 1536@75Hz Supports 12-bit/18-bit or dual 12-bit LVDS display interface
Dual Display	Supports VGA+LVDS, VGA+DVI dual independent display
Mechanical and Environmental	
Dimensions	CPC-3712CLD4NA: 100.00mm(3U) x 161.50mm x 8HP(2-slot width) CPC-RP3712: 100.00mm(3U) x 81.50mm x 8HP(2-slot width)
Operating Temperature	-40°C ~80°C
Storage Temperature	-45°C ~85°C
Operating Humidity	5%-95%, non-condensing
Power	
Power Supply	Supports CPCI and ATX power supply
Power Consumption	Typical 43.6W (CPU: Onboard Pentium® M 1.4GHZ, System Memory: Onboard 1G DDR2 400 )
Operating System	
Windows OS	Windows 2000/Windows XP
Embedded OS	Linux

## Board Diagram



## Related Product

Item	Typical Recommendation
CPCI Chassis	CPC-3408, CPC-3414
Rear I/O Board	CPC-RP3712-1, CPC-RP3712-2

## Available Accessories

Part Number	Name	Description	Qty.
2330-00011	Jumper/SHINNING/ROHS	Pitch: 2.0mm, black, sealed tail	1
2404-000281	antistatic gloves	Large	1
2412-000331	Setup Guide/RoHS	AMI/BIOS Setup Guide (for Core/8)VER:A1	1
2192-005601	Driver CD/Protective film/RoHS	CPC-3712CLD4NA/VER:A1	1
2413-009491	User Manual/Chinese/RoHS	CPC-3712CLD4NA/VER:A0	1

## Ordering Information

Part Number	Model Number	Description
0030-009960	CPC-3712CLD4NA	Motherboard
0030-003280	CPC-3712CLD4NA-1	Motherboard
0030-003290	CPC-3712CLD4NA-2	Motherboard
0030-003300	CPC-3712CLD4NA-3	Motherboard
0030-010370	CPC-3712CLD4NA-2-PM 1.4G	Motherboard
0030-010750	CPC-3712CLD4NA-PM1.4G	Motherboard
0060-002550	CPC-RP3712	Rear I/O Board
0060-001260	CPC-RP3712-1	Rear I/O Board
0060-001270	CPC-RP3712-2	Rear I/O Board