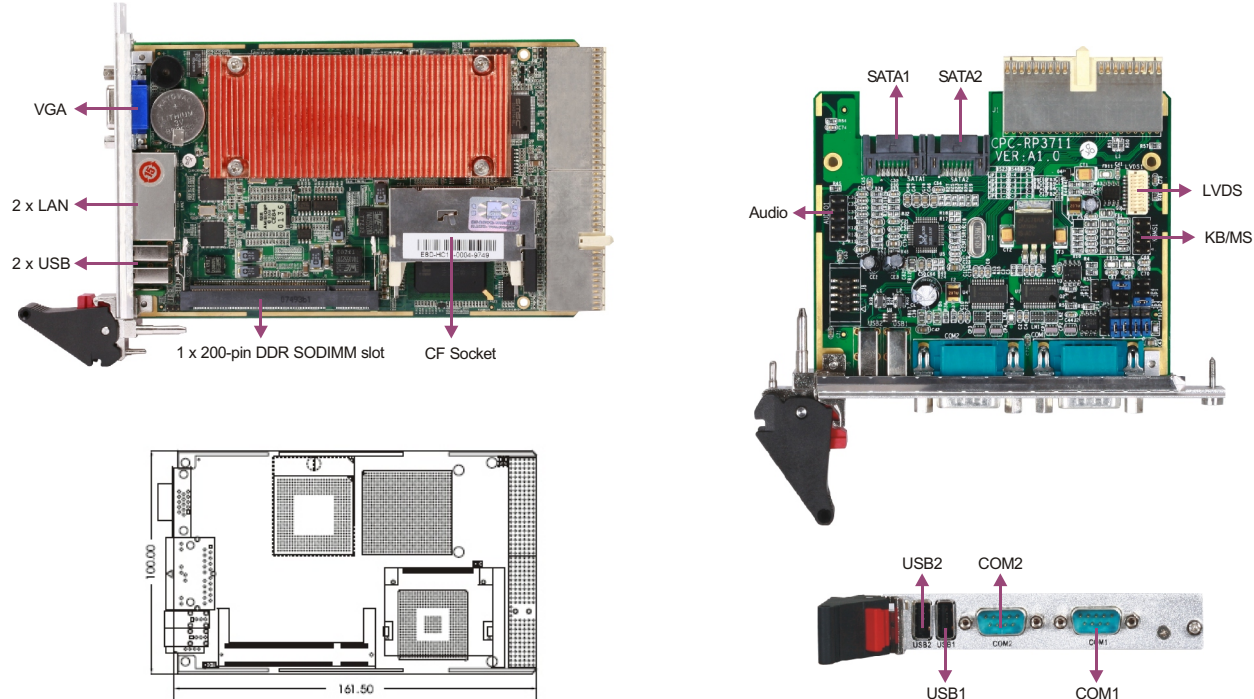
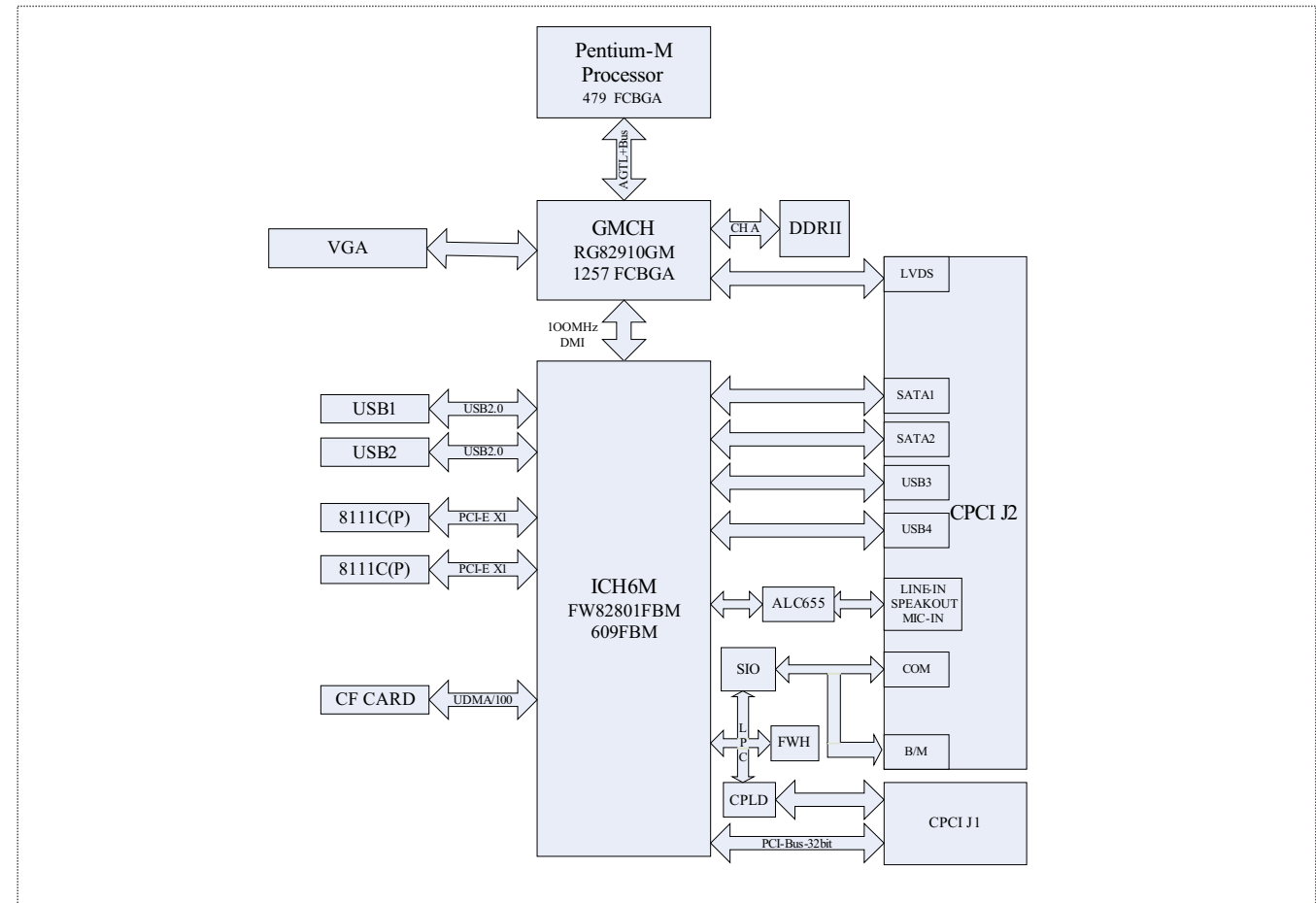


CPC-3711CL2NA

Intel® Pentium® M CompactPCI Boards with VGA/LVDS/CF/2GbE/Audio



Board Diagram



Available Accessories

Part Number	Name	Description	Qty.
N/A	Driver CD/Protective film/RoHS	CPC-3711CL2NA	1
N/A	Setup Guide/RoHS	AMI/BIOS Setup Guide (for CORE8)	1
N/A	User's Manual/RoHS	CPC-3711CL2NA	1

Related Product

Item	Typical Recommendation
CPCI Chassis	CPC-3408, CPC-3414
Rear I/O Board	CPC-RP3711

Ordering Information

Part Number	Model Number	Description
0030-003220	CPC-3711CL2NA	Motherboard
0030-007620	CPC-3711CL2NA/Conformal coating	Motherboard
0060-001190	CPC-RP3711	Rear I/O board
0060-002350	CPC-RP3711/conformal coating	Rear I/O board

Features

- Onboard Intel® Pentium® M 1.4G processor
- Supports 1 x 200-pin SO-DIMM, up to 2GB of DDR2 400 memory
- Onboard 2 x PCI-E Intel® 10/100M/1000Mbps Ethernet Controller
- Supports VGA+LVDS dual independent display
- PICMG 2.1 R2.0 Hot Swap specification compliant
- PICMG 2.0 R3.0 CompactPCI specification compliant
- Selectable 3U rear I/O board: CPC-RP3711



Specifications

System	
Processor	Onboard Intel® Pentium® M 1.4G embedded processor, with 2M L2 cache, 400MHz FSB
Chipset	Intel® 910GML + ICH6-M
Memory	Supports 1 x 200-pin SO-DIMM, up to 1GB DDR2 400 system memory
Hardware Monitor	Monitors system status, voltage, temperature and fan speed etc.
Watchdog Timer Standard	1~255 sec./min. timer system reset or interrupt, setup by software 64-bit CompactPCI expansion bus, compliant with PICMG2.0 R3.0, PICMG2.1 R2.0, PICMG2.5(R1.0 H.110), IPVMI 2.0
Storage Interface	
	CPC-3711CLD2NA CPC-RP3711
Serial ATA	N/A 2 x serial ATA150MB/s interface
IDE	N/A N/A
CF	1 x CompactFlash socket N/A
I/O Interface	
USB	2 x USB2.0 port 1 x RS232/422/485 (COM1), 1 x RS232
Serial Port	N/A N/A
Parallel Port	N/A N/A
PMC	N/A 1 x LVDS(20-pin header onboard)
Display Port	1 x VGA Onboard Realtek ALC650
Audio	N/A 1 x PS/2(KB/MS) port
KB/MS	N/A N/A
Ethernet	
Chipset	2 x Realtek RTL8111C GbE N/A
Connector	2 x RJ45 Giga port N/A
Display	
Chipset	Intel® 910GML integrated GMA900, core speed at 200MHz
Memory	Up to 128MB shared system memory
Resolution	VGA mode up to 1600 x 1200 @85Hz or 2048 x 1536@75Hz Supports 12-bit/18-bit LVDS display interface Supports VGA+LVDS dual independent display
Mechanical and Environmental	
Dimensions	CPC-3711CL2NA: 100mm(3U) x 161.51mm x 4HP(1-slot width) CPC-RP3711: 100mm(3U) x 81.5mm x 4HP(1-slot width)
Operating Temperature	-15°C ~ 60°C
Storage Temperature	-20°C ~ 75°C
Operating Humidity	5%-95%, non-condensing
Power	
Power Supply	Supports CPCI and ATX power supply
Power Consumption	Typical 15.6W(CPU: Onboard Pentium® M 1.4GHz, System Memory: 512MB DDR2 400)
Operating System	
Windows OS	Windows 2000/Windows XP
Embedded OS	Linux